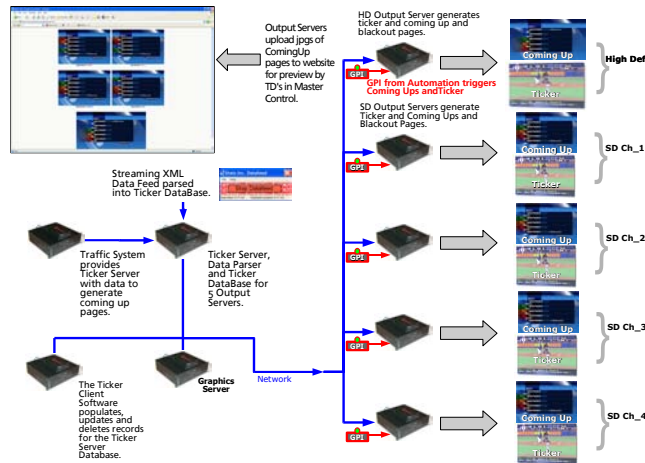




BLNewsTicker, an intuitive display solution for broadcast news, sports and entertainment

Bannister Lake's BL™Series solutions are the most comprehensive line of video graphics solutions available for Broadcast Television. Designed specifically for Broadcasters, the BL Series of solutions provide the features and flexibility to fit seamlessly into broadcast television facilities anywhere in the world. With our advanced technology and years of broadcast experience, BLSoft solutions address Broadcasters display requirements with flexibility, reliability and a path to the future. BLNewsTicker is our intuitive automated news data and graphics display solution for live television, providing connectivity to the majority of news, sports and subscription data feeds currently available to broadcasters.

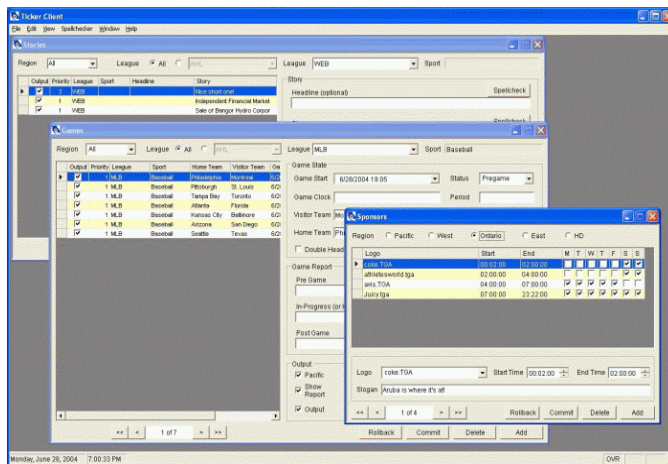
Deployment



Features

- Intuitive graphical interface, NewsTicker Client requires minimal operator training.
- Client application provides input for sponsors, stories, games and leagues.
- Spellcheck and Custom Dictionary with user defined spacers and delimiters lets you focus on content input, not formatting.
- Set duration and expiry date of content for individual regions.
- Check box dialog to assign content for individual or multiple servers.
- Optional support for Coming Up pages, SMS and Chat to Screen.
- Allows manual input and display of lower thirds and headlines.
- Interfaces to the majority of data feeds including: Stats Inc, ESPN SportsTicker, Reuters and AP News.
- Supports Network Time Protocol (NTP), Timecode or GPI triggers.
- Interfaces available to existing news room systems, automation and device servers.
- Support for NTSC, PAL and HDTV.
- Analog and AES audio output

Interface



Output





BLNewsTicker, an intuitive display solution for broadcast news, sports and entertainment

Applications

- Ideal for Broadcast, Cable and Satellite.
- Supports multiple systems.
- Accommodates regional, time delayed or remote broadcasts.

Options

- Support for Coming Up pages with audio tags.
- SMS and Chat to Screen.
- Multiple user licenses available.

Inscriber Hardware Options for BLNewsTicker



Maintenance Agreements - Bannister Lake Software is now pleased to offer maintenance agreements for all our services and solutions. Our standard warranty covers the initial 90 days of use after installation. Extended maintenance agreements provide you with the highest level of support available in the broadcast industry, enabling you to obtain support beyond your standard 90 day warranty.

A maintenance package with Bannister Lake Software provides peace of mind, allowing you to stay current with new releases and obtain technical assistance when you absolutely need it. For more information on BLNewsTicker and our maintenance agreements, please contact us at sales@blsoft.ca.

